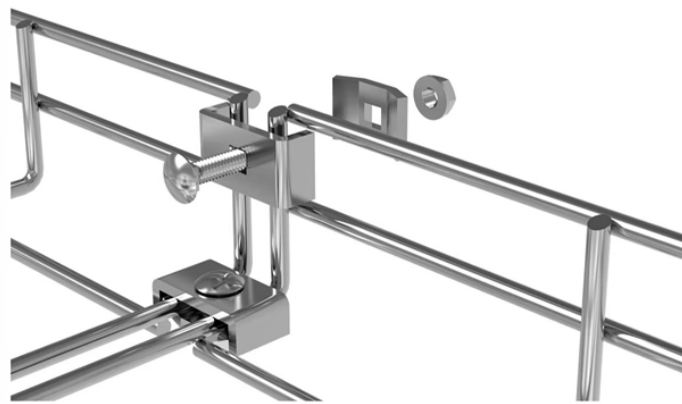


Distribution Network Automation Commissioning Experimental Equipment



Overview

This article organizes commissioning activities into three practical areas—SCADA and control verification, communications and integration, and energization with post-energization checks—so that teams can progress from individual signal validation to system performance with confidence. It also reveals some trends and future. A stable network infrastructure is essential before commissioning any controls logic. Some key checks include: In many systems, Device Level Ring (DLR) architectures are used to provide network redundancy and improve reliability in distributed conveyor control systems. This model includes topology, characteristics of the various power system facilities, and equipment ratings. Various application programs use the power system model, which include the state outstanding issues. At the start of the project, automation typically starts with a definition of what functions the system are to perform. These documents define what the automation is to do.

Distribution Network Automation Commissioning Experimental Equi



Learn how modern substation commissioning extends beyond plant checks to verify SCADA, comms, cybersecurity, and data integrity for safe operation and reliable event analysis.



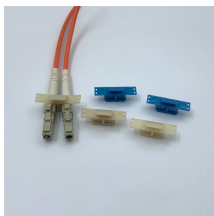
Distribution Automation involves monitoring and controlling devices on distribution feeders (like line reclosers, load break switches, sectionalizers, capacitor banks, and line regulators) and devices ...



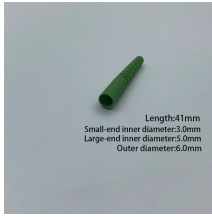
Comprehensive, independent substation testing for aging equipment and commissioning new substation equipment and/or modifications.



The manual covers topics such as electrical variables, AC and DC systems, transmission and distribution networks, substations, transformers, motors, and other equipment.



Automation networks are a core component of the mission-critical infrastructure in a distributed control system (DeS) as they connect all equipment and services



As automation systems become larger and more interconnected, the commissioning phase plays a critical role in ensuring equipment operates safely, reliably, and according to ...



We can provide SCADA/Protection testing and commissioning as an integrated service including DNP3, IEC 61850, IEC 60870, CANBUS & Modbus. APD Testing and Commissioning Engineers undertake ...



The handbook is targeted for power distribution applications following IEC guidelines and practices, even though many of the distribution automation principles can also be applied in power distribution ...



The objective of this procedure is to provide the directed actions for proper execution of the New Equipment Commissioning Checklist. Completion of the Checklist supports:



Commissioning of Automation Systems discussion. Learn and improve your skills on what is the correct way to commission automation systems.

Contact Us

For more information, pricing, or custom energy solutions, please contact us:

Website: <https://www.gdroofing.co.za>

Email: sales@gdroofing.co.za

Phone: +27 72 418 9365

Address: 22 Electron Avenue, Isando, Johannesburg, 1600, South Africa

This document is for informational purposes only. Specifications subject to change without notice.

