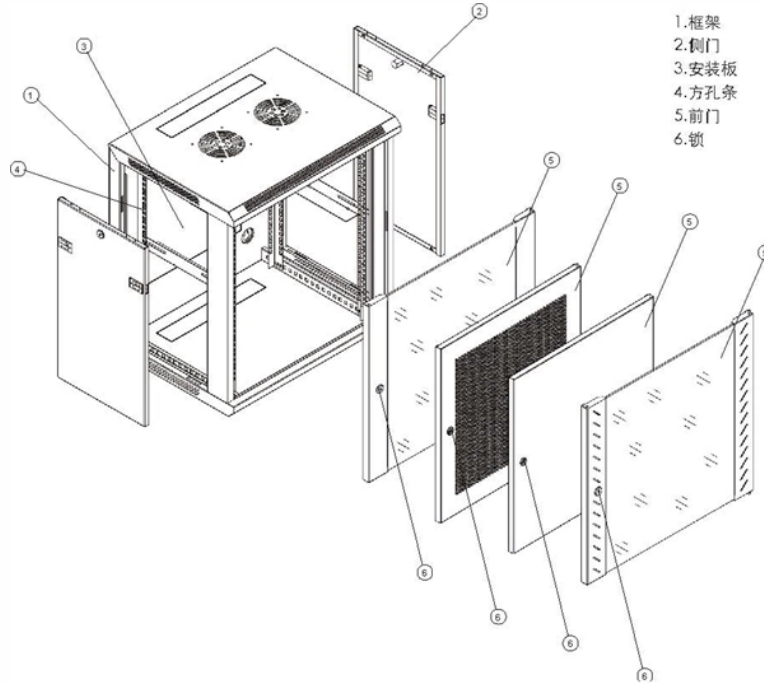


Dominic Aluminum Alloy Trapezoidal Cable Tray



Dominic Aluminum Alloy Trapezoidal Cable Tray



The aluminum cable tray is a lightweight, durable, and cost-effective solution used for organizing and safely carrying electrical and data cables. With easy installation and strong corrosion resistance, it is ...



THIS DRAWING AND/OR THE TECHNICAL INFORMATION CONTAINED HEREON IS THE PROPERTY OF EATON CORPORATION ("EATON"), AND IS ISSUED IN CONFIDENCE FOR ...



Extra wide aluminum rungs are welded to extruded aluminum I-beam side rails. Every second rung is reversed to allow for easy top or bottom mounting of cable ties and clamps. All edges and welds are ...



The aluminum cable tray is a lightweight, durable, and cost-effective solution used for organizing and safely carrying electrical and data cables. With easy installation and strong corrosion resistance, it is ...



DOM INIC ALLOY CABLE TRAY MANUF Datasheet, PDF ... DOMINIC ALLOY CABLE TRAY MANUF Distributor



Our extensive portfolio features aluminum foil, electrical cables, cable trays, copper tubes, boiler tubes, casing pipes, honed tubes, steel wires, PPGI/gi coils, galvanized pipes, and robust steel structures.



It is designed for mechanical support and strain relief in long runs of cable and creates a smooth gradual bend for cable. Rail and stringer material is 16 ga steel tubing.



Welcome to Wedoany to learn about the Trapezoidal aluminum alloy cable tray prices, manufacturers, specifications, models, and more released by Yangzhong Zhongzhou Aluminium ...



With over 16 years of professional expertise in the manufacturing and supply of cable trays, perforated cable trays, ladder-type cable trays, and cable trunking systems, we have delivered premium-quality ...



Refers to the approximate height of a cable tray used for specifying. Selecting a specific height will show cable trays with that height, as well as cable tray accessories compatible with that height.



As a less-expensive alternative to conduit, a stronger alternative than wire basket, and superior to generic tray, Snap Track saves on labor and reduces total installed costs.



Aluminum Cable Tray systems are lighter than steel cable tray and Certified CSA Cable Tray, UL listed, NEMA and certified. Because of their lighter weight aluminum cable trays are easier to install than ...

Contact Us

For more information, pricing, or custom energy solutions, please contact us:

Website: <https://www.gdroofing.co.za>

Email: sales@gdroofing.co.za

Phone: +27 72 418 9365

Address: 22 Electron Avenue, Isando, Johannesburg, 1600, South Africa

This document is for informational purposes only. Specifications subject to change without notice.

