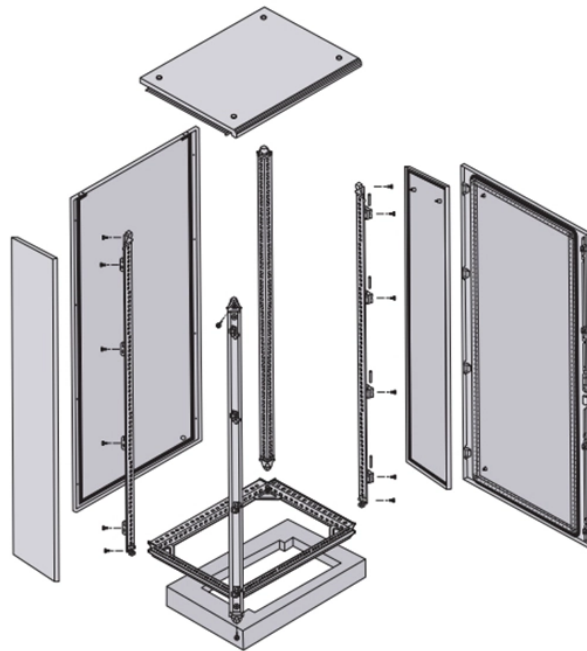


Dominican Republic Power Fiber Cable



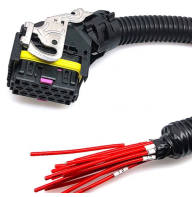
Overview

The route is in service from April 2024 and serves as a vital link between the Caribbean and the U., as well as wider Latin America via the Brusa, PCCS, and SAm-1 cables. Caribbean Transmission Development (CTDC) plans to install an underwater power line between the Dominican Republic and Puerto Rico to provide electricity to the neighboring country. According to the Puerto Rican newspaper El Nuevo Día, the Electric Power Authority (PREPA) and LUMA Energy are. Telxius announced the opening of its latest submarine cable route with the extension of SAm-1 between Punta Cana in the Dominican Republic to Puerto Rico. The whole project will receive US\$158 million in federal funding, with US\$85 million being. YOUR PREMIER COMMERCIAL DIVING SERVICE PROVIDER WHENEVER YOU NEED US.

Dominican Republic Power Fiber Cable



The project consists of the construction of an underwater fiber optic cable that will connect Puerto Rico with the Dominican Republic and the US Virgin Islands.



The US government approved funding for a multi-million dollar broadband infrastructure project, which includes a submarine cable to connect Puerto Rico with the Dominican Republic and ...



As a leading commercial diving service provider, our company is specialized in underwater ship maintenance, marine construction, power plant commercial diving services, CBM-SBM construction ...



Telxius announced the opening of its latest submarine cable route with the extension of SAm-1 between Punta Cana in the Dominican Republic to ...



Telxius announced the opening of its latest submarine cable route with the extension of SAm-1 between Punta Cana in the Dominican Republic to Puerto Rico.



DCG is a joint venture formed by the five largest non-incumbent Telecom Service Providers in the Northern Region of the Dominican Republic to serve the Small Service Provider Segment ...



The U.S. Department of Energy has approved the submarine power cable project between the Dominican Republic and Puerto Rico, formally notifying Caribbean Transmission ...



Caribbean Transmission Development (CTDC) plans to install an underwater power line between the Dominican Republic and Puerto Rico to provide electricity to the neighboring country.



The installation of a bidirectional submarine electrical cable, 116 kilometers between the Dominican Republic and Puerto Rico, will entail an investment of US\$1.2 billion and the first ...



But what is the Hostos Project, and how will it benefit the Dominican Republic? The Hostos Project involves installing a submarine cable to connect the electrical systems of the Dominican Republic ...



The submarine cable project intended to transmit electricity from the Dominican Republic to Puerto Rico is advancing steadily, with U.S. federal environmental permits expected to be ...

Contact Us

For more information, pricing, or custom energy solutions, please contact us:

Website: <https://www.gdroofing.co.za>

Email: sales@gdroofing.co.za

Phone: +27 72 418 9365

Address: 22 Electron Avenue, Isando, Johannesburg, 1600, South Africa

This document is for informational purposes only. Specifications subject to change without notice.

