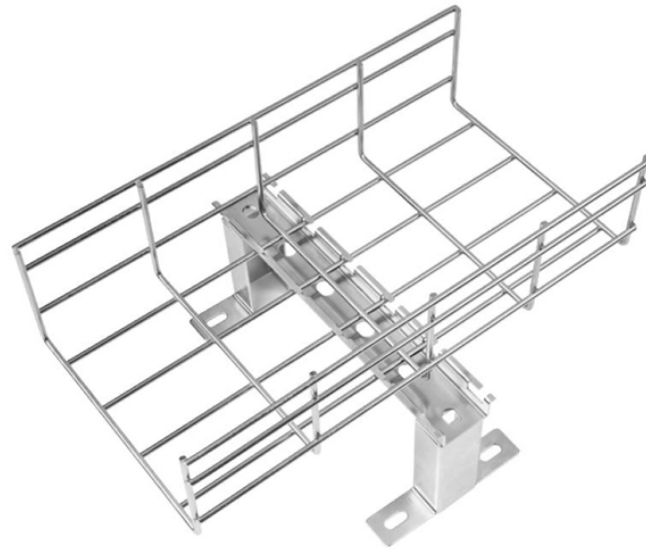


# How to adjust the power meter



## Overview

Calibrate the meter by turning its adjusting screws with a micrometer screwdriver. The full load screw is typically in the right corner of the display plate and the light load screw is usually below the display on the right side. Here's a step-by-step guide: 1. Preparation Check Standards & Regulations: Ensure compliance. Instruments equipped with the Power Meter measurement mode can be used to make channelized power meter measurements. This option provides true RMS. Calibration Method for working standard at PF=0 Capacitor's Equivalent Circuit Consumption power of the resistor in the capacitor Working standard displays power value (expectation) Compensate of the input impedance of the voltage input circuit Phase difference ( $\theta$ ) including the influence of input. At its core, your power meter is essentially a high-precision scale for your pedaling force. But unlike your bathroom scale, it's making thousands of measurements per second while being subjected to temperature swings, moisture, vibration, and physical impacts. Need to adjust the Scale Factor for the Voltmeter, Ammeter, or Wattmeter values of a Power Meter 800.

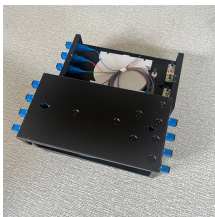
## How to adjust the power meter



Learn how to properly calibrate cycling power meters (Favero, Garmin, Quarq) for perfect accuracy. Includes step-by-step instructions, troubleshooting tips, and pro secrets.



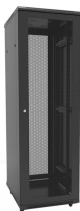
The Relative Power feature allows the display of power changes with respect to a desired reference value in both dB and % (percent). Limit values can be turned on as needed to indicate if a ...



How to adjust the scale factors used for the Voltmeter, Ammeter, or Wattmeter values of a Power Meter 800. Issue: Need to adjust the Scale Factor for the Voltmeter, Ammeter, or Wattmeter ...



A real calibration can only be performed under ideal conditions; therefore, it's best performed in a lab or during power meter production. Setting a zero offset simply tells the power ...



Bear in mind that this could be illegal if your meter belongs to the electric company. If you cut the tamper seals then they will know that it has been adjusted or tampered with.



You can read the meter's output on its center display and reset it often to see how much electricity you are using over a specific period of time. Adjusting the meter is crucial if you want to get accurate ...



Calibrating an energy meter ensures its accuracy in measuring electrical energy consumption. The process involves comparing the meter's readings against a known standard and ...



In this guide, we break down why submeter calibration matters, how to do it correctly, and what tools you'll need to ensure your electric submeters are reading accurately. In our experience, ...



The PNA source is stepped through the specified frequency range, and power is measured with the power meter. At each data point, the source power is adjusted until the measured power is within ...



Yokogawa hopes that its Power meters contribute to a world with cleaner and more efficient energy use. The below tutorial intends to help with power measurement.

## Contact Us

For more information, pricing, or custom energy solutions, please contact us:

Website: <https://www.gdroofing.co.za>

Email: [sales@gdroofing.co.za](mailto:sales@gdroofing.co.za)

Phone: +27 72 418 9365

Address: 22 Electron Avenue, Isando, Johannesburg, 1600, South Africa

This document is for informational purposes only. Specifications subject to change without notice.

