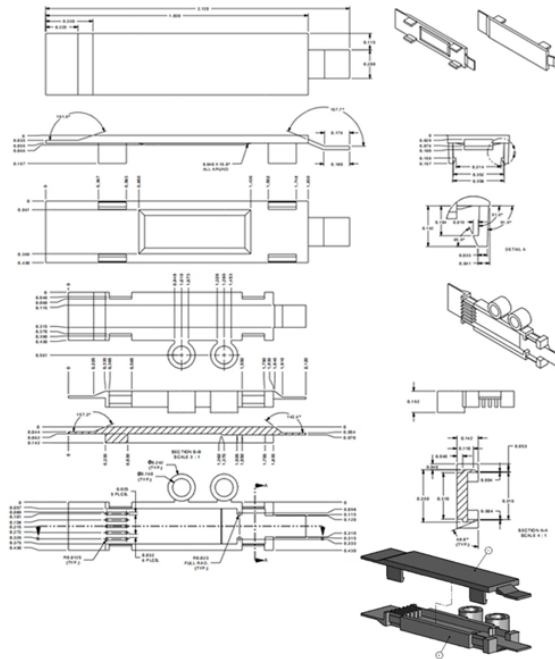


Middle East Explosion-proof Distribution Box Processing Price



Overview

This regional analysis examines major geographic markets North America, Europe, Asia-Pacific (APAC), Latin America, and Middle East & Africa (MEA) highlighting demand drivers, regulatory and competitive dynamics, channel structures, and tactical recommendations for market-entry. This regional analysis examines major geographic markets North America, Europe, Asia-Pacific (APAC), Latin America, and Middle East & Africa (MEA) highlighting demand drivers, regulatory and competitive dynamics, channel structures, and tactical recommendations for market-entry. The Middle East and Africa (MEA) explosion-proof power distribution boxes market is experiencing a dynamic evolution driven by infrastructural development, industrial expansion, and increasing safety regulations across key sectors such as oil & gas, manufacturing, and energy. This report provides a. The Middle East explosion proof equipment market size was estimated at USD 607. 2 million in 2024 and is projected to reach USD 1,093. Our explosion proof electrical products range from Ex-plosion proof cable glands to custom designed and assembled explosion proof control panels. We are major stockiest and. Global Explosion-Proof Distribution Box Market Size By Type (Enclosed Type, Open

Type), By Material (Steel, Aluminum), By Application (Oil and Gas, Mining), By Protection Class (IP66, IP67), By End-User Industry (Manufacturing, Energy and Utilities), By Geographic Scope And Forecast Key Regions:.. Sensor-Control: premier supplier of explosion-proof control panel in the UAE, providing competitive pricing without compromising on quality. Our control panels are ATEX, IECEx, and UL certified, ensuring the highest safety standards for hazardous environments. read more The hardware segment dominated the.

Middle East Explosion-proof Distribution Box Processing Price



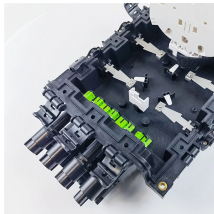
These enclosures are crafted to prevent any internal explosion from igniting the surrounding atmosphere, ensuring maximum safety in industries such as oil and gas, chemical processing, and ...



Distribution Boxes and Empty Enclosures Showing 1-12 of 13 results



The supply chain analysis section includes detailed insights such as Middle East And Africa Explosion Proof Equipment Market consumption and production by country, price trend analysis, the impact of ...



Innovation in the Middle East explosionproof equipment market is centered on integrating IoT and real-time monitoring to enhance safety and reliability. Manufacturers are developing energy-efficient ...



The analysis is structured to be adaptable to any Middle East and Africa Explosion-proof Power Distribution Boxes Market while providing actionable, region-specific insights.



With partnership with our Explosion proof manufacturer, we act as a local assembler for Explosion proof junction boxes in UAE with shortest delivery and lowest prices.



Certified with ATEX, IECEx, and IP66 ratings, these panels ensure safe operation in hazardous areas. We provide competitive prices without compromising quality, guaranteeing reliability and compliance ...



Delve into detailed insights on the Explosion-Proof Distribution Box Market, forecasted to expand from USD 2.5 billion in 2024 to USD 4.1 billion by 2033 at a CAGR of 5.6%. The report identifies key ...



The EJB A range of ex proof junction boxes has been designed to meet the main requirements of power distribution, monitoring and signaling, and other electrical functions inside the hazardous area of the ...



With partnership with our Explosion proof manufacturer, we act as a local assembler for Explosion proof junction boxes in UAE with shortest delivery and lowest prices.



BARTEC offers one of the most extensive ranges of explosion-proof and substance-resistant components, devices, and systems for controlling, switching, and connecting for hazardous areas ...

Contact Us

For more information, pricing, or custom energy solutions, please contact us:

Website: <https://www.gdroofing.co.za>

Email: sales@gdroofing.co.za

Phone: +27 72 418 9365

Address: 22 Electron Avenue, Isando, Johannesburg, 1600, South Africa

This document is for informational purposes only. Specifications subject to change without notice.

