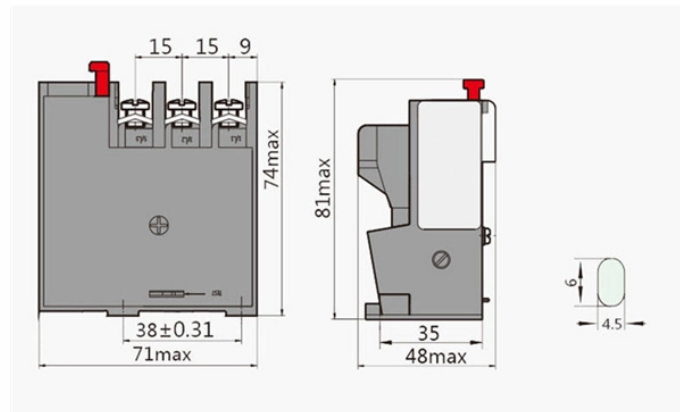
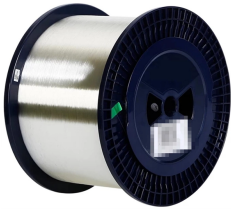


## Perforation of distribution box



## Perforation of distribution box



By incorporating perforations into distribution boxes, businesses can seamlessly transform them into retail display cases, making them display-ready packaging and eliminating the ...



Find out the crucial key to solving septic tank distribution box problems for optimal system performance - don't miss this essential guide!



Each time the flow is split by a distribution box or header, it increases the chances of uneven distribution occurring; keep the number of times flow is split to a minimum if possible.



Explore common problems with septic tank distribution boxes, their symptoms, solutions, and maintenance tips for homeowners.



The distribution box is a device for splitting flow equally by gravity to points in the system. Improperly installed distribution boxes are a cause for absorption field malfunction.



Perforations on corrugated cardboard boxes serve as a separation line for converting the transport packaging into the shelf-ready display tray. Various perforations placed on different sides...



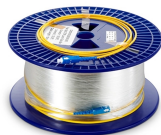
The first component is the distribution box, which receives the effluent from the septic tank and evenly distributes it to the drain pipes. The drain pipes, also known as perforated pipes, are buried in ...



A distribution box is a passive flow-splitting device installed downstream of the septic tank's outlet and upstream of the leach field laterals. It receives pre-treated, settled effluent and routes it into two or ...



Septic system D box installation, specifications, inspection, diagnosis, and repair: in this article series about septic system drop boxes we describe the best procedures for locating and inspecting, ...



Corrugated board boxes are often used as secondary packaging to protect consumer goods during transport. In shelf ready packaging, the boxes are perforated so that the front and top of the box can ...

## Contact Us

For more information, pricing, or custom energy solutions, please contact us:

Website: <https://www.gdroofing.co.za>

Email: [sales@gdroofing.co.za](mailto:sales@gdroofing.co.za)

Phone: +27 72 418 9365

Address: 22 Electron Avenue, Isando, Johannesburg, 1600, South Africa

This document is for informational purposes only. Specifications subject to change without notice.

