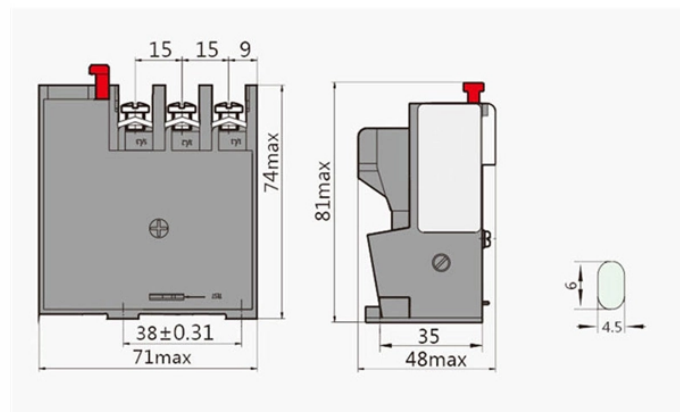


Price of 304 Outdoor Distribution Box



Price of 304 Outdoor Distribution Box



304 Stainless Steel Waterproof Meter Distribution Box for Outdoor Use, Find Details and Price about Waterproof Box 304 Stainless Steel Box from 304 Stainless Steel Waterproof Meter Distribution Box ...



Choose from our selection of stainless steel boxes, including corrosion-resistant washdown enclosures, compartmented boxes, and more. Same and Next Day Delivery.



Whether used indoors or outdoors, this box is perfect for applications in electricity, construction, and other industries, ensuring long-lasting protection and consistent performance throughout the year.



This distribution box is a true example of "one box, multiple uses"! not only can it be used as a meter box, but it can also serve as a power box for surveillance equipment, a control box for electric vehicle ...



This makes the Distribution Box a perfect choice for use in harsh environments, such as industrial settings, outdoor installations, and coastal areas. Unparalleled protection for electrical components. ...



Whether used indoors or outdoors, this box is perfect for ...



The SEC-ELJSS Series electrical enclosures are designed to house electrical controls, instruments and components in areas, which may be regularly hosed down or are in very wet or oily ...



Shop high-quality stainless steel enclosures for NEMA rated electrical applications. Shop a variety of stainless steel boxes and buy directly from Polycase.



Explore our available breaker boxes at Lowe's to find options in a range of sizes and configurations suited for everyday electrical setups. Centralized Power Management: They're designed to organize ...



Introducing Our Premium Outdoor Distribution Box, Expertly Crafted From Robust Stainless Steel To Withstand A Variety Of Environments Such As Factories, Construction Sites, Shopping Malls, Parks, ...



The SEC-ELJSS Series electrical enclosures are designed to ...



The distribution box is designed for outdoor use with a water-resistant structure. It protects electrical meters and wiring from weather exposure, making it suitable for outside electrical installations.

Contact Us

For more information, pricing, or custom energy solutions, please contact us:

Website: <https://www.gdroofing.co.za>

Email: sales@gdroofing.co.za

Phone: +27 72 418 9365

Address: 22 Electron Avenue, Isando, Johannesburg, 1600, South Africa

This document is for informational purposes only. Specifications subject to change without notice.

