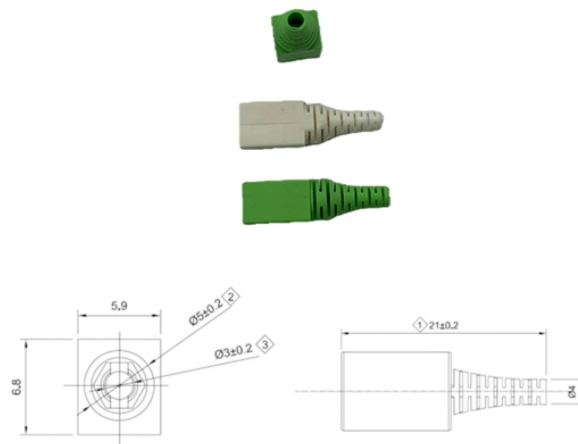


# Unsealed holes in the distribution box



## Overview

The solution to this problem is to repair the distribution cover. If it is uneven, it will need to be smoothed out. Also, consider correcting surface drainage around your property if. A septic distribution box (D-box) is a concrete or plastic junction that evenly distributes wastewater from your septic tank to all drainfield lateral lines. Knowing how to inspect and test a septic distribution box can help catch problems early and. Find out the crucial key to solving septic tank distribution box problems for optimal system performance - don't miss this essential guide! Understanding septic tank distribution box problems is essential for peak system performance. Distribution boxes act as important junctions, ensuring uniform.

## Unsealed holes in the distribution box



Most D-boxes are made from durable concrete, tough plastic, or fiberglass - materials chosen to withstand decades buried in corrosive soil. Inside, you'll find inlet and outlet ports, leveling ...



Explore common problems with septic tank distribution boxes, their symptoms, solutions, and maintenance tips for homeowners.



Detailed guide to locating, safely accessing, and visually testing your septic distribution box to diagnose flow issues and ensure drain field health.



Find out the crucial key to solving septic tank distribution box problems for optimal system performance - don't miss this essential guide!



In this guide, I have discussed ten of the common problems with a septic tank distribution box (D-box) and how to fix them. 1. Clogging. If you've had your septic system for a while, you have ...



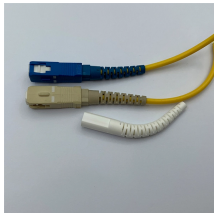
A failing distribution box can destroy your drain field. Learn what a D-box does, common failure signs, repair options, and Central Valley costs.



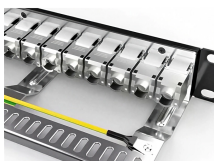
Detailed guide to locating, safely accessing, and visually testing your septic distribution box to diagnose flow issues and ensure drain field health.



Diagnose problems at the septic system drop box: procedures for troubleshooting leaks, smells, or backups & flooding in the septic system D-box.



Knowing how to inspect and test a septic distribution box can help catch problems early and keep your septic system functioning efficiently. Keep reading to learn more.



Distribution Boxes are an essential part of your septic system. However, if they're clogged or out of level, it can cause backups or individual trenches to become oversaturated. Jetting, ...



Septic distribution box problems explained, including how to detect issues, common causes, warning signs, and effective repair solutions to protect your system.

## Contact Us

For more information, pricing, or custom energy solutions, please contact us:

Website: <https://www.gdroofing.co.za>

Email: [sales@gdroofing.co.za](mailto:sales@gdroofing.co.za)

Phone: +27 72 418 9365

Address: 22 Electron Avenue, Isando, Johannesburg, 1600, South Africa

This document is for informational purposes only. Specifications subject to change without notice.

